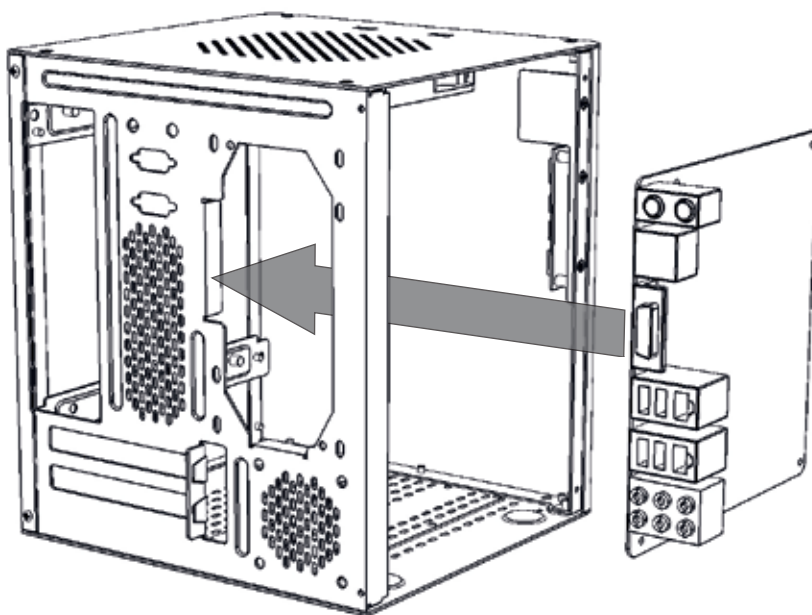
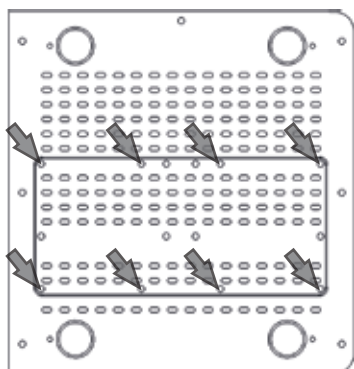


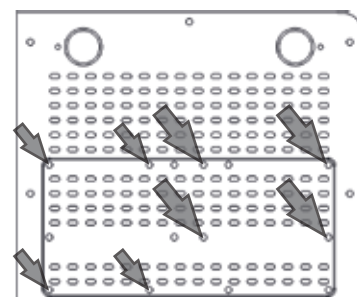
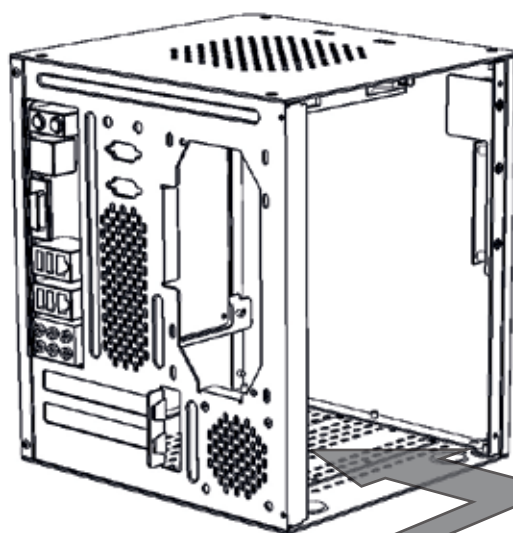
Mainboard installation



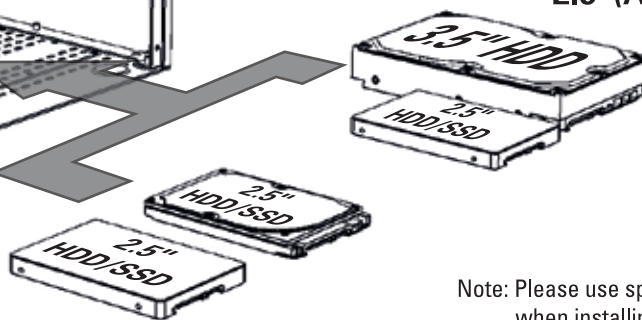
HDD/SSD installation



2.5"(A)/2.5"(A)



2.5"(A)/3.5"(B)



Note: Please use spacers when installing HDDs



PSU installation

